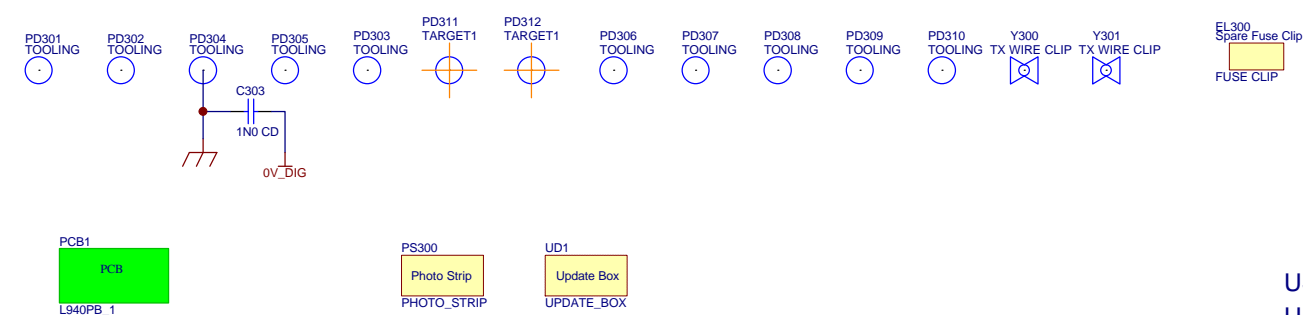


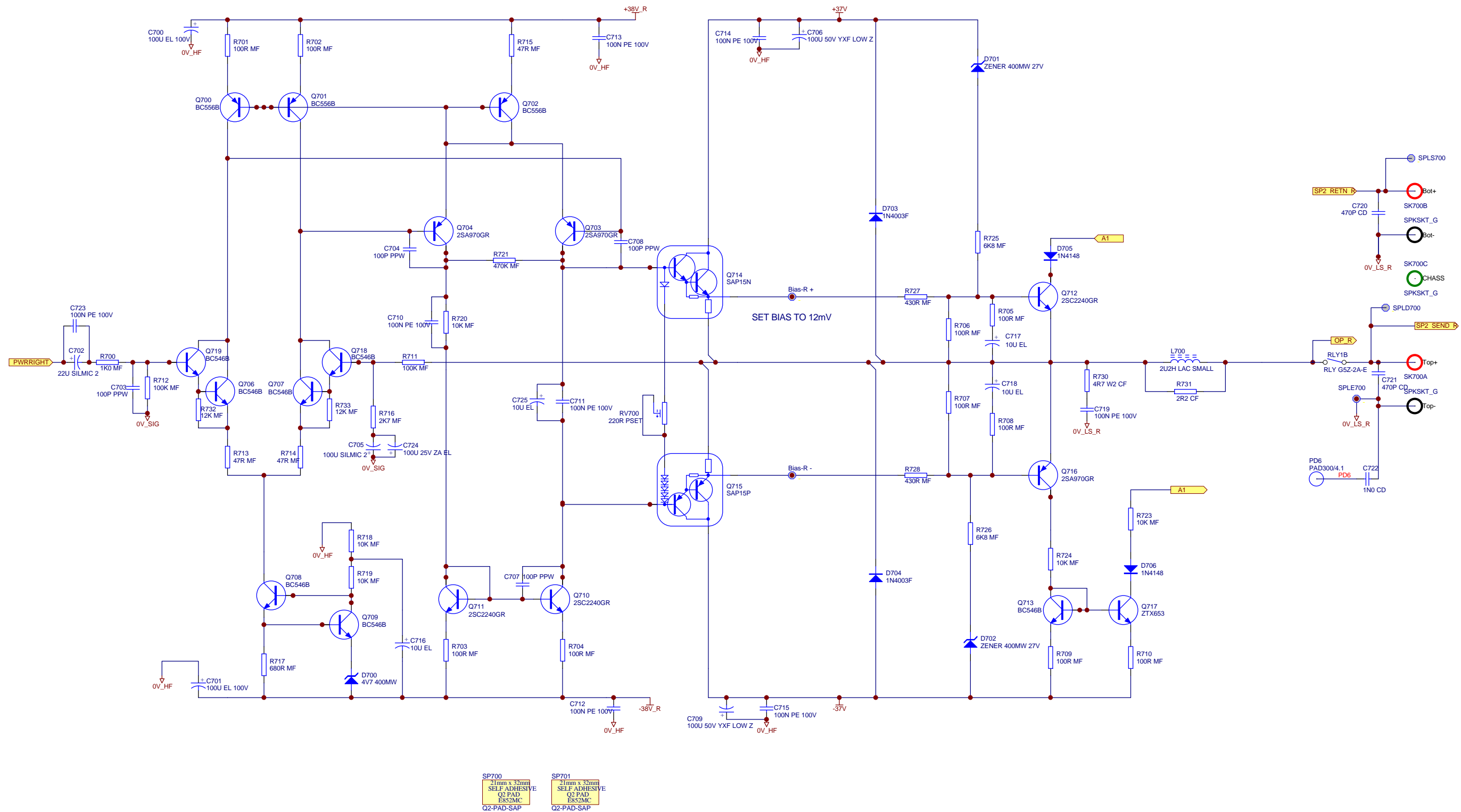
DO NOT USE THE FOLLOWING NUMBERS AS LINKS - THE DESIGNATORS ARE ALREADY USED ON OTHER PARTS OF THIS CCT!  
 LK100, LK101, LK102, LK103, LK104, LK168, LK170, LK171, LK172, LK173, LK174, LK175, LK176, LK177, LK200, LK239



WARNING SAFETY CRITICAL COMPONENT  
 REPLACE WITH IDENTICAL PART

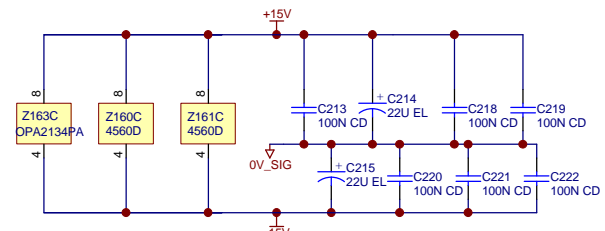
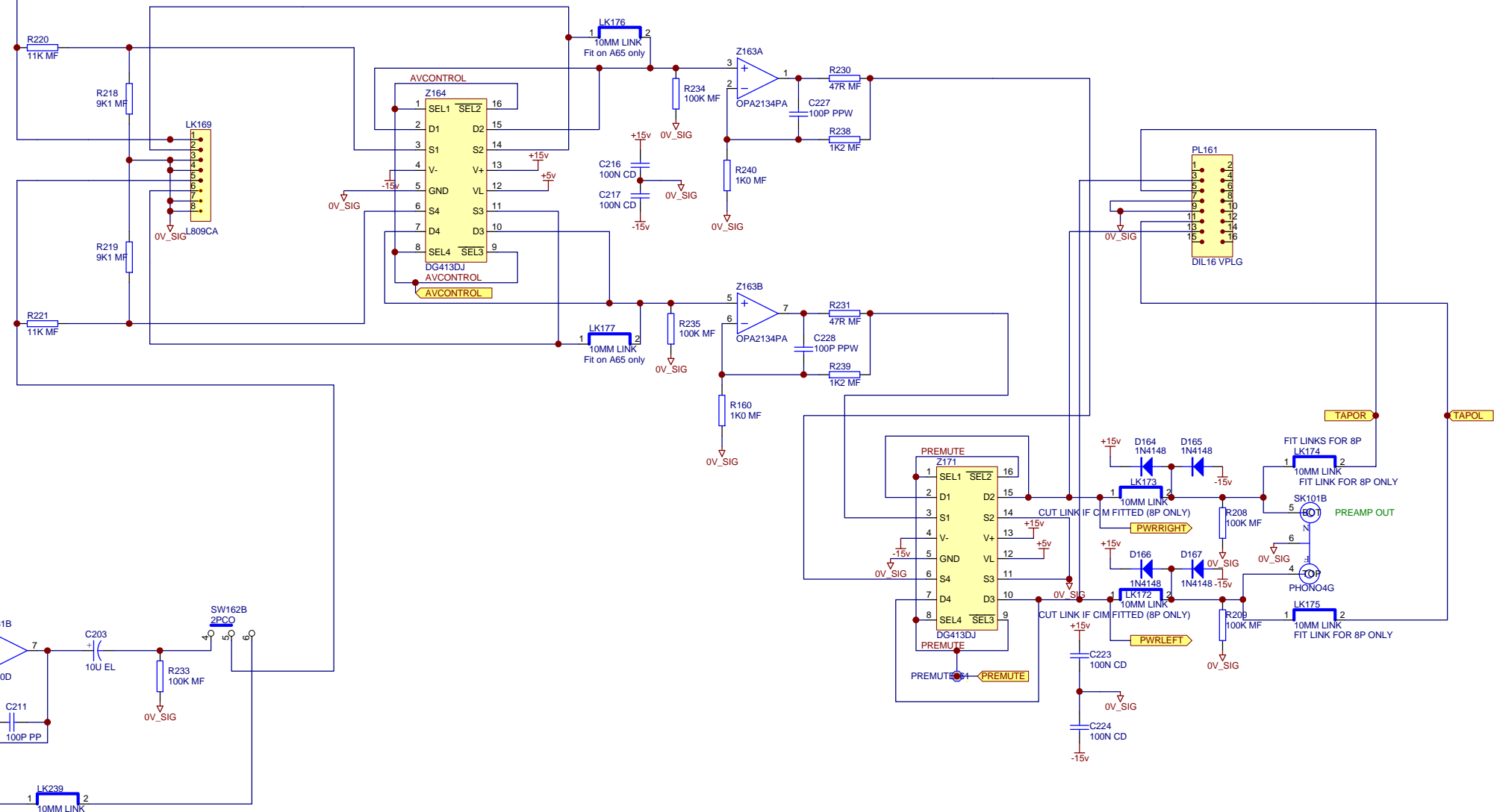
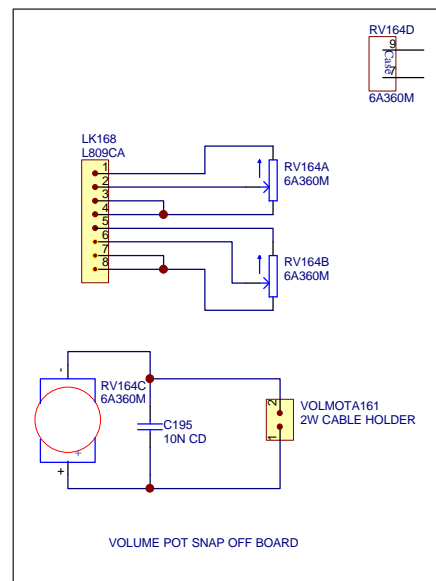
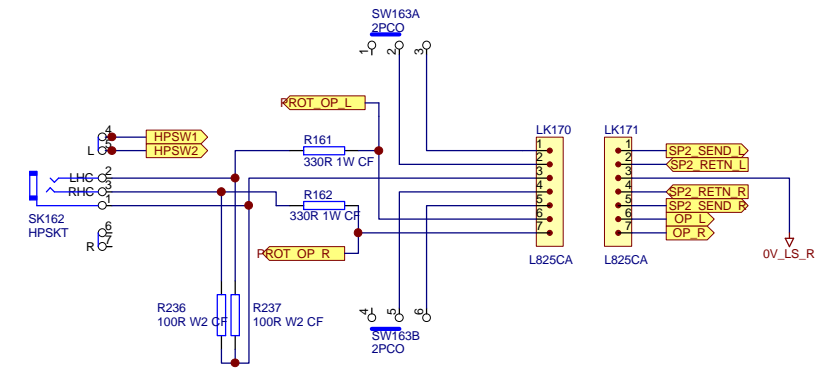
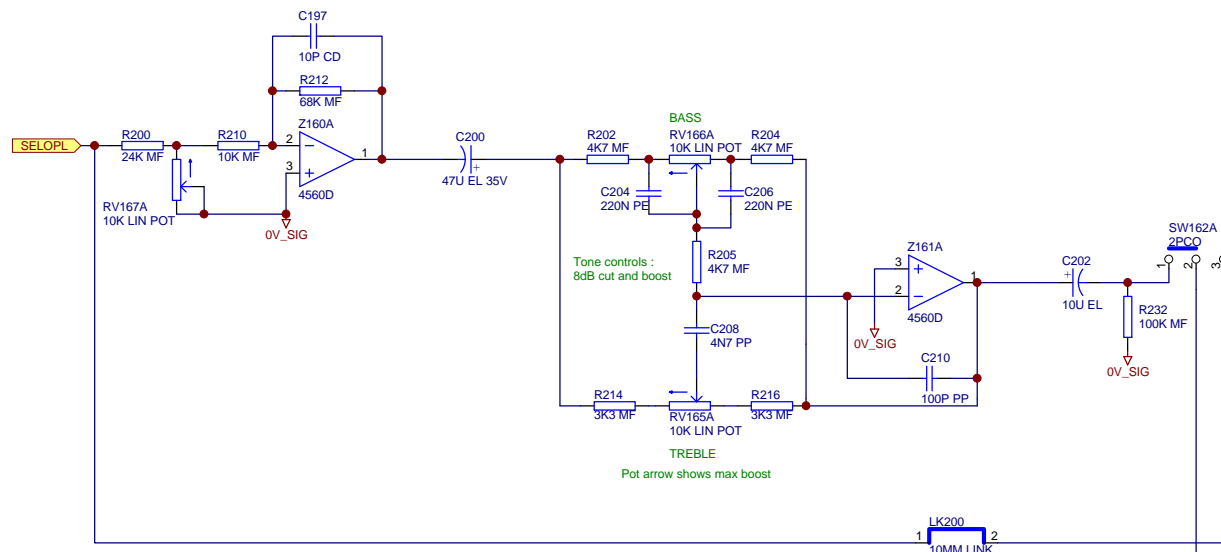
USE EXCLUDE NF TO CREATE RUN OUT SHEET FOR A75  
 USE EXCLUDE A65 TO CREATE RUN OUT SHEET FOR A65

DRAWING TITLE		A75 PLUS AMP							
ARCAM		Filename: L940C2 1.0.SCH							
A & R Cambridge Ltd. Pembroke Avenue Waterbeach Cambridge CB5 9PB		Notes: POWER SUPPLY							
Contact Engineer: Travis Pierce		Contact Tel: (01223) 203 200		Printed: 11 Dec 2001		Sheet 2 of 7		DRAWING NO. L940C2	
		ECO No.		INITIALS		DATE		DESCRIPTION OF CHANGE	
								PRODUCTION RELEASE	
								ISSUE	
								1.0	



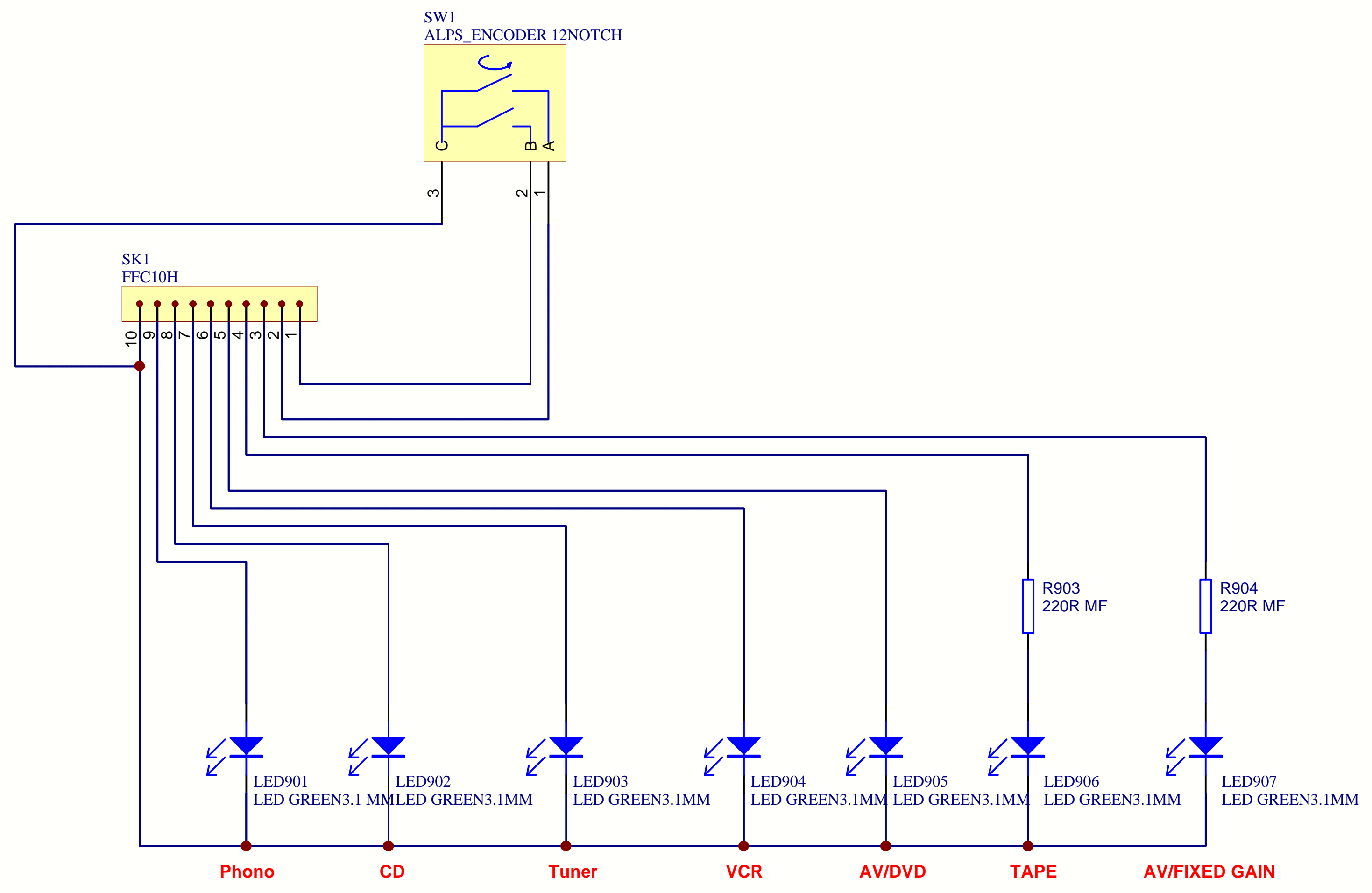
USE EXCLUDE NF TO CREATE RUN OUT SHEET FOR A75  
 USE EXCLUDE A65 TO CREATE RUN OUT SHEET FOR A65

DRAWING TITLE		A75 PLUS AMP					
ARCAM		Filename: L940C6 1.0.SCH					
A & R Cambridge Ltd. Pembroke Avenue Waterbeach Cambridge CB5 9PB		Notes: Right Channel Power Amplifier					
01_E020	TGP	12/12/01	PRODUCTION RELEASE				1.0
ECO No.	INITIALS	DATE	DESCRIPTION OF CHANGE				ISSUE
		11 Dec 2001	Sheet 6 of 7				DRAWING NO. L940C6
Contact Engineer: Travis Pierce		Contact Tel: (01223) 203 200		Printed: 11 Dec 2001		Sheet 6 of 7	



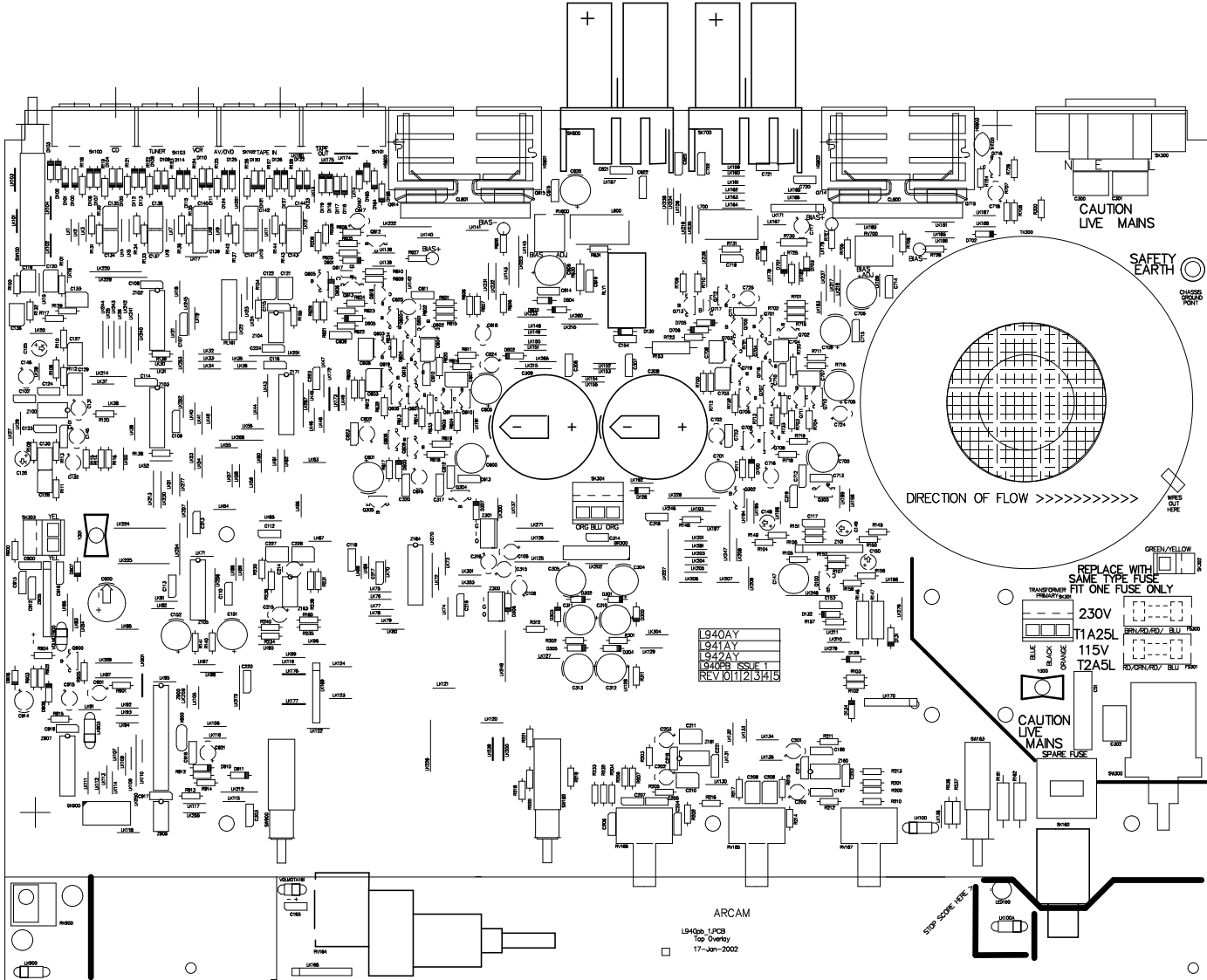
USE EXCLUDE NF TO CREATE RUN OUT SHEET FOR A75  
 USE EXCLUDE A65 TO CREATE RUN OUT SHEET FOR A65

DRAWING TITLE		A75 PLUS AMP	
ARCAM		Filename:	L940C4 1.0.SCH
Notes:		Pre-amp Out, Tone & Headphone	
01_E020	TGP	12/12/01	PRODUCTION RELEASE
ECO No.	INITIALS	DATE	DESCRIPTION OF CHANGE
Contact Engineer:	Travis Pierce	Contact Tel:	(01223) 203 200
Printed:	11 Dec 2001	Sheet	4 of 7
DRAWING NO.			L940C4



PCB  
**PCB**  
 L885PB\_1

DRAWING TITLE		ECO No.	INITIALS	DATE	DESCRIPTION OF CHANGE	ISSUE
DISPLAY PCB FOR A75 AMP		N/A	CL	31-08-00	PRODUCTION RELEASE	1
<b>Circuit Diagram</b> Notes: A & R Cambridge Ltd. Pembroke Avenue Denny Industrial Centre Waterbeach Cambridge CB5 9PB		N/A	ES	31-07-00	CORRECTED TO MATCH MAIN PCB	C
		N/A	ES	14-06-00	ADD FLEXFOIL CONNECTORS AND CHANGE ENCODER	B
		N/A	WAF	27-3-00	FIRST PROTOTYPE	A
Filename	Date Printed	Drawn by:		Sheet 1 of 1		DRAWING NO. L885C1_A
J:\PROJECTS\A75\cct & pcb\issue b wip\L885PB\L885pb.ddb - ISSUE 1	12-Sep-2000	ES				



CAUTION LIVE MAINS

SAFETY EARTH

CHASSIS EARTH

DIRECTION OF FLOW >>>>>>>>>

GREEN/YELLOW  
WIRE OUT HERE

REPLACE WITH  
SAME TYPE FUSE  
FIT ONE FUSE ONLY

230V

T1A25L

115V

T2A5L

BLUE  
BLACK  
ORANGE

RED/BLU/RED/BLU  
RED/GRN/RED/BLU

CAUTION  
LIVE  
MAINS  
SPARE FUSE

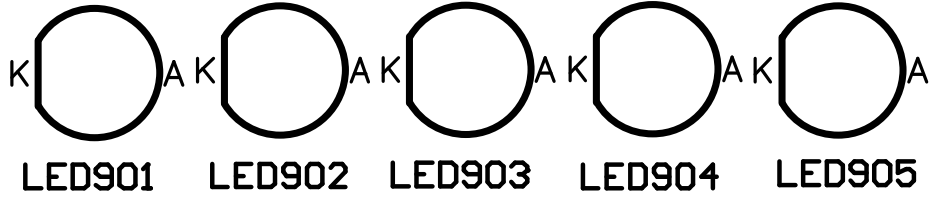
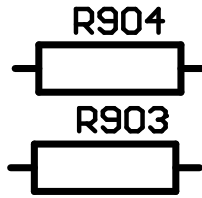
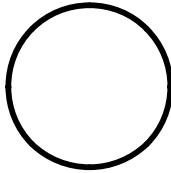
G40AY  
G41AY  
G42AY  
G4056 ISSUE 1  
REV 01/12/34/5

ARCAM

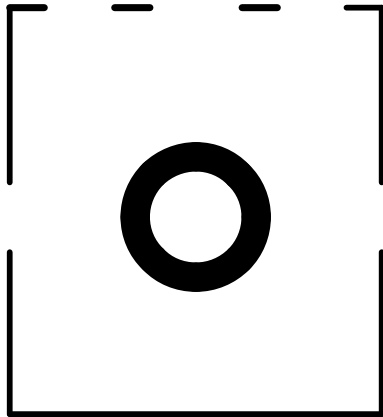
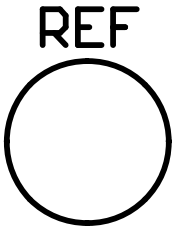
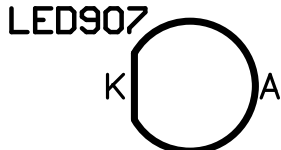
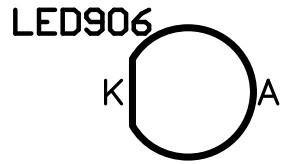
L94qbb\_1.PCB  
Top Overlay  
17-Jan-2002

STOP SCALE HERE

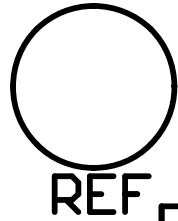
L885AY  
L885PB\_1  
REV 1 2 3 4 5



SK1



ARCAM  
A65/75



DISPLAY